

JT BULLETPROOF SAFETY GLASS JT BURGLARPROOF SAFETY GLASS Jaakko-Tuote Oy



JT BULLETPROOF GLASS

TESTED ACCORDING TO DIN STANDARD 52290 PART 2

JT NUMBER (Order No.)	SAFETY CLASS	WEAPON	THICKNESS mm ±0,5	WEIGHT kg/m ²	ENERGY J
JT-121	C1SA	9 mm x 19	20	47	520
JT-123	C1SA	9 mm x 19	21	51	520
JT-128	C1SF	9 mm x 19	30	68	520
JT-129	C1SF	9 mm x 19	39	92	520
JT-130	C2SA	.357 Magnum	26	61	930
JT-131	C2SA	.357 Magnum	24	57	930
JT-137	C2SF	.357 Magnum	41	101	910
JT-138	C2SF	.357 Magnum	40	97	910
JT-140	C3SA	.44 Magnum	32	76	1540
JT-147	C3SF	.44 Magnum	59	145	1520
JT-148	C3SF	.44 Magnum	57	140	1520
JT-160	C4SA	7,62 x 51	48	114	3000
JT-161	C4SA	7,62 x 51	45	107	2940
JT-169	C4SF	7,62 x 51	82	200	2960
JT-171	C5SA	7,62 x 51	75	185	3190
JT-179	C5SF	7,62 x 51	92	229	3160
JT-136	Kalashnikov SA	7,62 x 39 VM, Sp, Fe-core	42	98	2070
JT-168	Kalashnikov SF	7,62 x 39 VM, Sp, HK	67	163	2080

SA=splinters can be detached from the rearmost pane of glass, bullet cannot get through the glass however.

SF=splinter free

Recommended maximum size: weight 700 kg

Safety class	Calibre	Bullet type	Bullet weight, g	Bullet speed, m/s	Distance, m
C1	9 mm x 19	VM, RK, WK	8	355...365	3
C2	.357 Magnum	VM, KSp, WK	10, 25	415...425	3
C3	.44 Magnum	VM, FK, WK	15, 55	435...445	3
C4	7,62 x 51	VM, Sp, WK	9, 45	785...795	10
C5	762 x 51	VM, Sp, HK	9, 75	800...810	25

VM = full jacket

KSp = conical nose

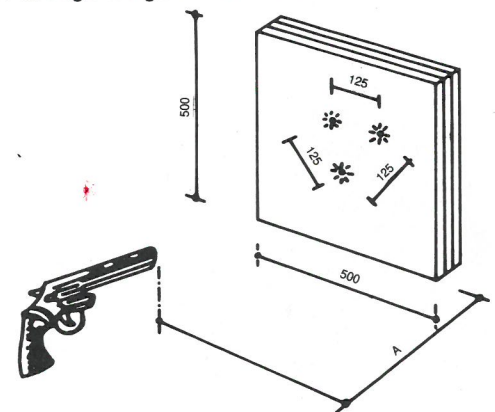
HK =hardened core

RK =round nose

FK = flat nose

WK = lead core

Sp = pointed nose



JT bulletproof glass was tested according to the German DIN standard 52290/2 in which three shots are fired into the glass, with the shots forming a triangle as shown.

JT BURGLARPROOF SAFETY GLASS

AGAINST VANDALISM

JT type	Structure	Thickness mm	Weight kg/m ²	Light transm. %	Class
JT F1	tempered	4	10	88	○
JT F1	laminated	6	15	88	○
JT F2	tempered	5	12,5	88	○
JT F2	laminated	6	15	88	○
JT F3	tempered	6	15	87	○
JT F3	laminated	6	15	87	○
JT A0	laminated	8	20	79	○
JT A1	laminated	9	21	79	★
JT A2	laminated	9	21	79	★
JT A3/EHO1	laminated	10	23	73	★
JT DH4/EHO2	laminated	12	24	72	★
JT-ISO	tempered	5-15	12,5-37,5	88-72	★

★ = official certificates

○ = tested at factory or by customer

AGAINST BURGLARY

JT type	Structure	Thickness mm	Weight kg/m ²	Light transm. %	Class
JT B1	laminated	12	26	68	★
JT B1	laminated	14	31	66	★
JT B2	laminated	26	63	58	★
JT B3	laminated	28	65	58	★
JT B1-PC	laminated	12	21	68	★
JT-SAFETY 9	temp. lam	9	20	79	○
JT-SAFETY 10	temp.lam.	11	26	74	○
JT-SAFETY 20	temp.lam.	12	27	73	○
JT-SAFETY 30	temp. lam.	13	28	73	○
JT-SAFETY 40	temp.lam.	15	29	71	○
JT-SAFETY 50	laminated	38	85	47	○

SAFETY GLASS TESTING METHODS

Resistance class A1...A3, struck by hard object

DIN 52290/4, SFS 5311

steel ball 4.1 kg, Ø100 mm

test glass 1100 x 900 mm

Class	Drop height mm x hits	Energy J
A1	3500 x 3	141
A2	6500 x 3	262
A3	9500 x 3	383
EHO2/DH4	12500 x 9	504

Resistance class B1...B3, struck by sharp object

DIN 52290/3, SFS 5312

axe 2 kg, 11 m/s, 300 J

test glass 1100 x 900 mm

Class	Number of hits
B1	30...50
B2	51...70
B3	over 70

Resistance class F1...F3, struck by heavy object

SFS 5314

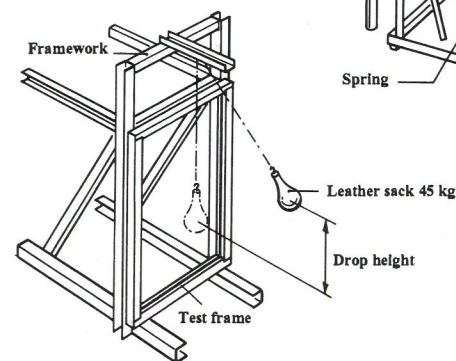
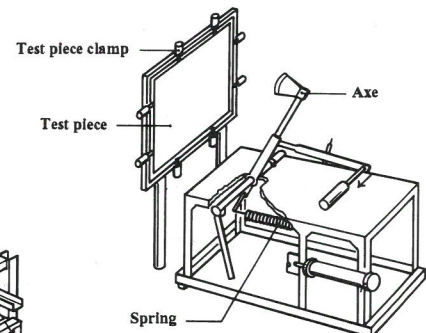
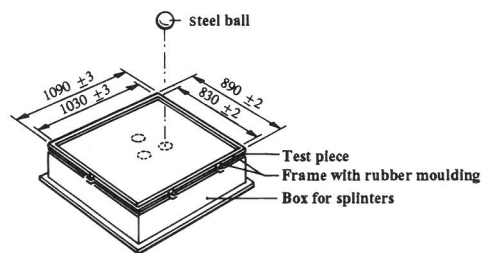
leather sack, 45 kg of shot

test glass 865 x 1930 mm

Class	Drop height, mm	Energy, J
F1	305	135
F2	457	202
F3	1219	538

JT SAFETY GLASS RANGE:

- JT bulletproof safety glass
- JT vandalism- and burglar-proof glass
- JT alarm glass, RT X31-34876
- JT Pyroglas A30, 15 mm, type approval No. 63/6121/95
- JT Pyroglas A30, 21 mm, type approval No. 95/6121/96



JT SAFETY GLASS IS ALSO AVAILABLE:

- with Optiwhite glass
- Heat-Soak treated
- with JT alarm circuits
- with Amiran non-reflecting glass
- with Pyran fireproof glass
- in combinations of the above

MANUFACTURING AND INFORMATION

Jaakko-Tuote Oy
 Jokiahteentie 15
 FIN-27430 PANELIA
 Tel: +358-2-864 7228
 Fax: +358-2-864 7565

JAAKKO-TUOTE OY